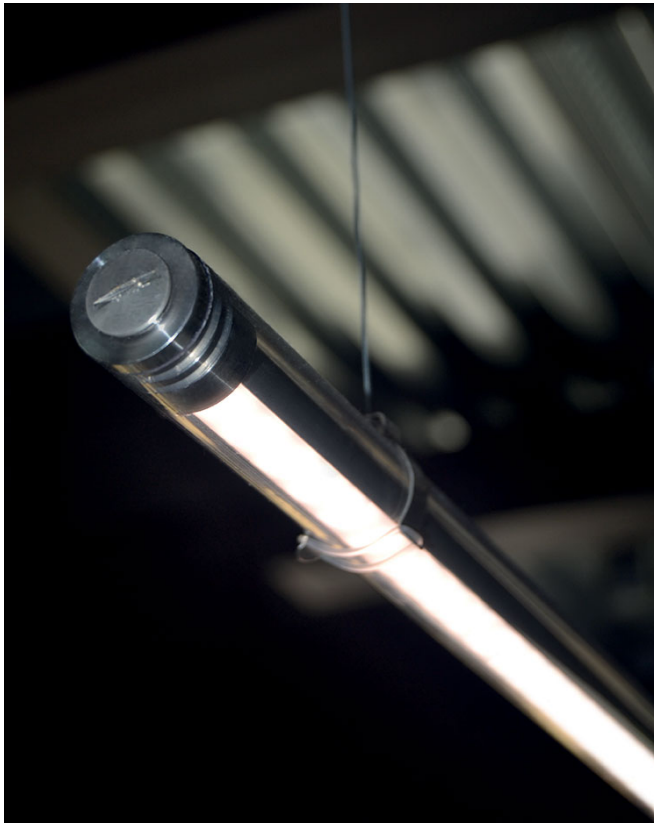


# Wanda System

Design ABS Studio



Code **1665.33/158 / \_ \_**

Description Suspension lamp made with an IP54 LED adjustable light bar made of transparent coextruded anti-UV methacrylate, AISI 316L stainless steel finials

Year of production 2020

Typology suspension,

Material methacrylate/INOX AISI 316L

Light Emission *widespread*

IP grade IP54

Allimentation 24Vdc

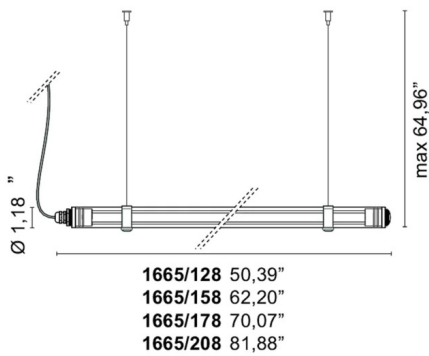
Finishes **.33** Brushed steel

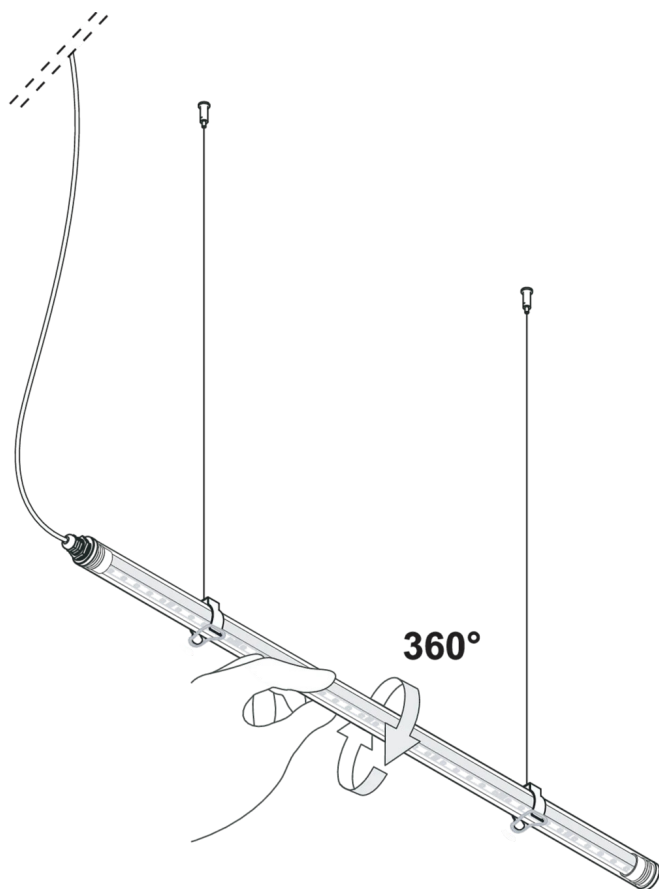
Light source  
**/W** 22.5W 2760lm 24V 4000K CRI>90  
**/WW** 22.5W 2475lm 24V 3000K CRI>90  
**/XW** 22.5W 2340lm 24V 2700k CRI>90

Net weight 3,00 lb

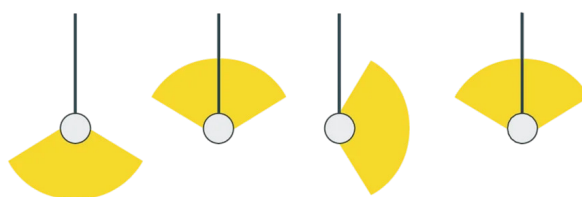
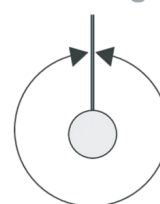


98,43 inch





Luce Light



## ELEMENTI DI SISTEMA



20cm diameter rosette complete with 60W driver

**U0990/60**

1,32 lb

- .01 White
- .02 Black
- .85 Painted silver
- .86 Painted gold
- .87 Painted copper
- .88 Bronze painted



30cm diameter rosette complete with 99W driver

**U0990/100**

2,87 lb

- .01 White
- .02 Black
- .85 Painted silver
- .86 Painted gold
- .87 Painted copper
- .88 Bronze painted





38cm diameter rosette complete with 198W driver



**U0990/200**

4,41 lb

- .01  White
- .02  Black
- .85  Painted silver
- .86  Painted gold
- .87  Painted copper
- .88  Bronze painted