

LANCIA TONDA

Design P. Peperè



Code **1566**

Description Pendant lamp

Year of production 2019

Typology suspension,

Material aluminum/polycarbonate

Light Emission *widespread*

IP grade 20

Allimentation 24Vdc

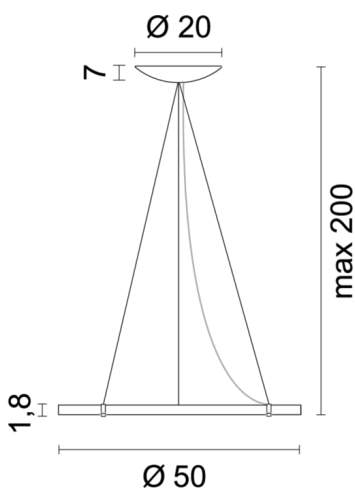
Finishes	.01	White
	.02	Black
	.25	Satin gold
	.31	Chromed
	.85	Painted silver
	.86	Painted gold
	.87	Painted copper
	.88	Bronze painted

Light source
/W 27W 3390lm 24V 4000K CRI>90
/WW 27W 3030lm 24V 3000K CRI>90
/XW 27W 2835lm 24V 2700k CRI>90

Net weight 1,20 kg



250 cm



ACCESSORIES

LANCIA TONDA

Design P. Peperè




Single cable connection to ceiling Single cable connection to ceiling

0536

0,09 kg

.01  White

.02  Black

.25  Satin gold

.31  Chromed