

# Lancia Tonda System

Design P. Peperè



Code **U1574**

Description Diffused-light pendant lamps with calendered aluminum die-cast body, opal polycarbonate diffuser, 250-cm coaxial power cable, mounting kit included.

Year of production 2017

Typology suspension

Material aluminum/polycarbonate

Light Emission *widespread*

IP grade 20

Allimentation 120-277V 50/60Hz

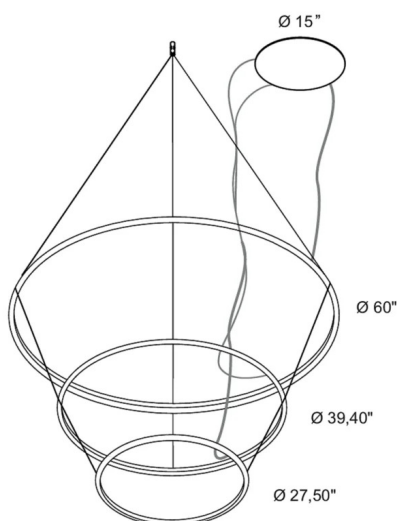
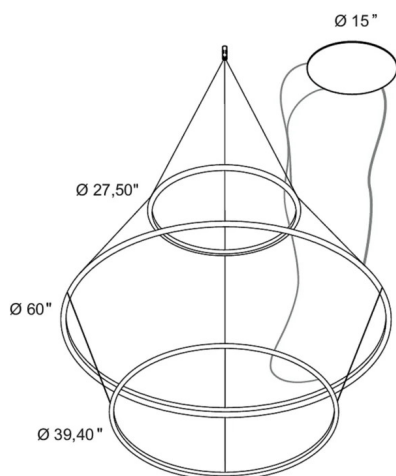
Finishes **.01** White  
**.02** Black

Light source **/W** 172,5W 21696lm 24V 4000K CRI>90  
**/WW** 172,5W 19392lm 24V 3000K CRI>90  
**/XW** 172,5W 18144lm 24V 2700k CRI>90

Net weight 16,00 lb



98,43 inch

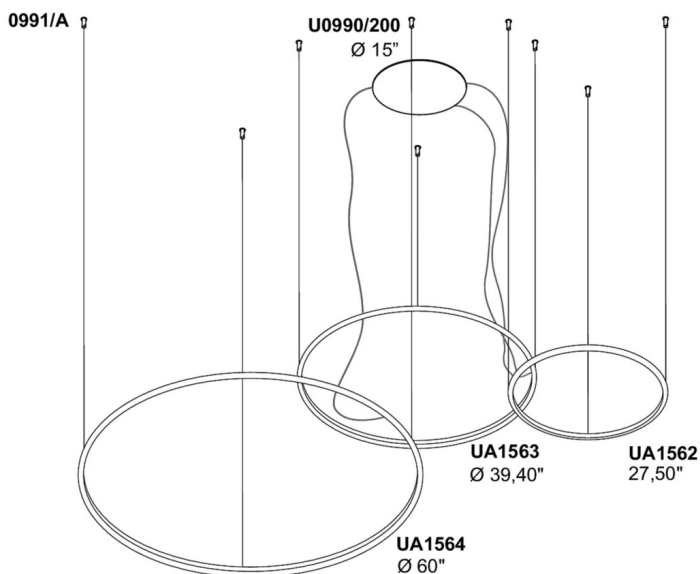
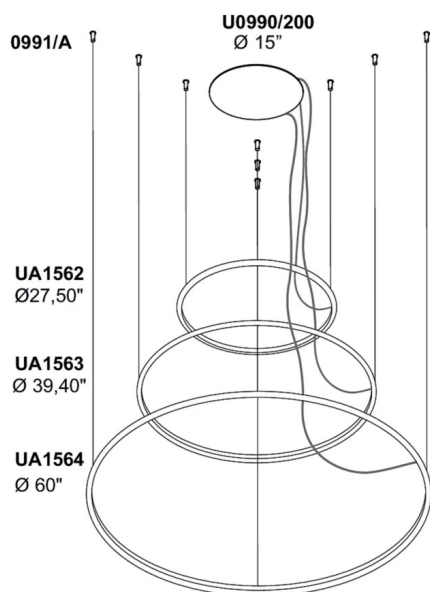


# Lancia Tonda System

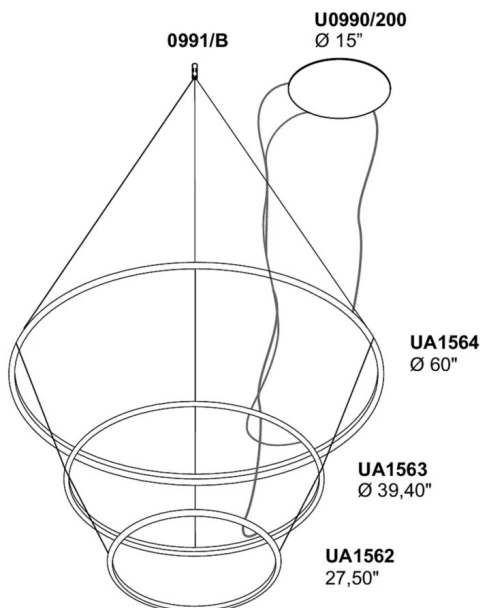
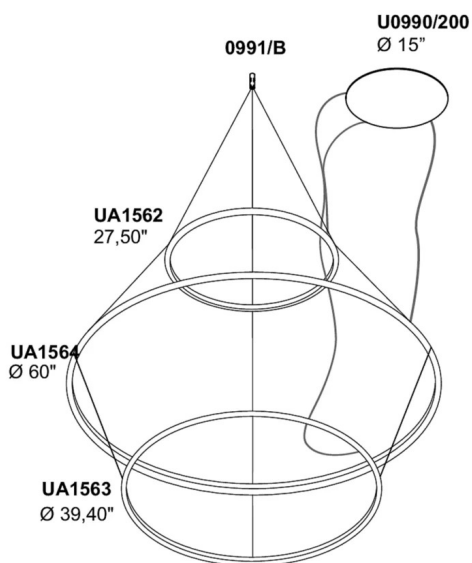


Design P. Pepere

## SINGLE LAMP CABLE KIT



## CABLE KIT FOR 3 LAMPS



### Custom size

Table lengths available upon request. Measurements refer to complete fixtures including end caps.

Ø	watt	2700K (XW)	lm	3000K (WW)	lm	4000K (W)	lm
---	------	------------	----	------------	----	-----------	----

# Lancia Tonda System



Design P. Pepere

Ø	watt	2700K (XW)	lm	3000K (WW)	lm	4000K (W)	lm
19,69"	27 W	UA1566.01/XW	2835	UA1566.01/WW	3030	UA1566.01/W	3390
		UA1566.02/XW	2835	UA1566.02/WW	3030	UA1566.02/W	3390
		UA1566.25/XW	2835	UA1566.25/WW	3030	UA1566.25/W	3390
		UA1566.31/XW	2835	UA1566.31/WW	3030	UA1566.31/W	3390
		UA1566.85/XW	2835	UA1566.85/WW	3030	UA1566.85/W	3390
		UA1566.86/XW	2835	UA1566.86/WW	3030	UA1566.86/W	3390
		UA1566.87/XW	2835	UA1566.87/WW	3030	UA1566.87/W	3390
		UA1566.88/XW	2835	UA1566.88/WW	3030	UA1566.88/W	3390
27,56"	37.8 W	UA1562.01/XW	3969	UA1562.01/WW	4242	UA1562.01/W	4746
		UA1562.02/XW	3969	UA1562.02/WW	4242	UA1562.02/W	4746
		UA1562.25/XW	3969	UA1562.25/WW	4242	UA1562.25/W	4746
		UA1562.31/XW	3969	UA1562.31/WW	4242	UA1562.31/W	4746
		UA1562.85/XW	3969	UA1562.85/WW	4242	UA1562.85/W	4746
		UA1562.86/XW	3969	UA1562.86/WW	4242	UA1562.86/W	4746
		UA1562.87/XW	3969	UA1562.87/WW	4242	UA1562.87/W	4746
		UA1562.88/XW	3969	UA1562.88/WW	4242	UA1562.88/W	4746
39,37"	54 W	UA1563.01/XW	5670	UA1563.01/WW	6060	UA1563.01/W	6780
		UA1563.02/XW	5670	UA1563.02/WW	6060	UA1563.02/W	6780
		UA1563.85/XW	5670	UA1563.85/WW	6060	UA1563.85/W	6780
		UA1563.86/XW	5670	UA1563.86/WW	6060	UA1563.86/W	6780
		UA1563.87/XW	5670	UA1563.87/WW	6060	UA1563.87/W	6780
		UA1563.88/XW	5670	UA1563.88/WW	6060	UA1563.88/W	6780
59,06"	81 W	UA1564.01/XW	8505	UA1564.01/WW	9090	UA1564.01/W	10170
		UA1564.02/XW	8505	UA1564.02/WW	9090	UA1564.02/W	10170
		UA1564.85/XW	8505	UA1564.85/WW	9090	UA1564.85/W	10170
		UA1564.86/XW	8505	UA1564.86/WW	9090	UA1564.86/W	10170
		UA1564.87/XW	8505	UA1564.87/WW	9090	UA1564.87/W	10170
		UA1564.88/XW	8505	UA1564.88/WW	9090	UA1564.88/W	10170