

Wanda System

Design officinadiarchitettura&design



Code **1665.33/ 128 / _ _**

Description Suspension lamp made with an IP54 LED adjustable light bar made of transparent coextruded anti-UV methacrylate, AISI 316L stainless steel finials

Year of production 2020

Typology suspension

Material methacrylate/INOX AISI 316L

Light Emission *widespread*

IP grade 54

Allimentation 24Vdc

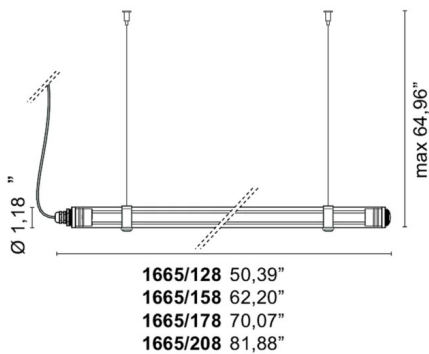
Finishes **.33** Brushed steel

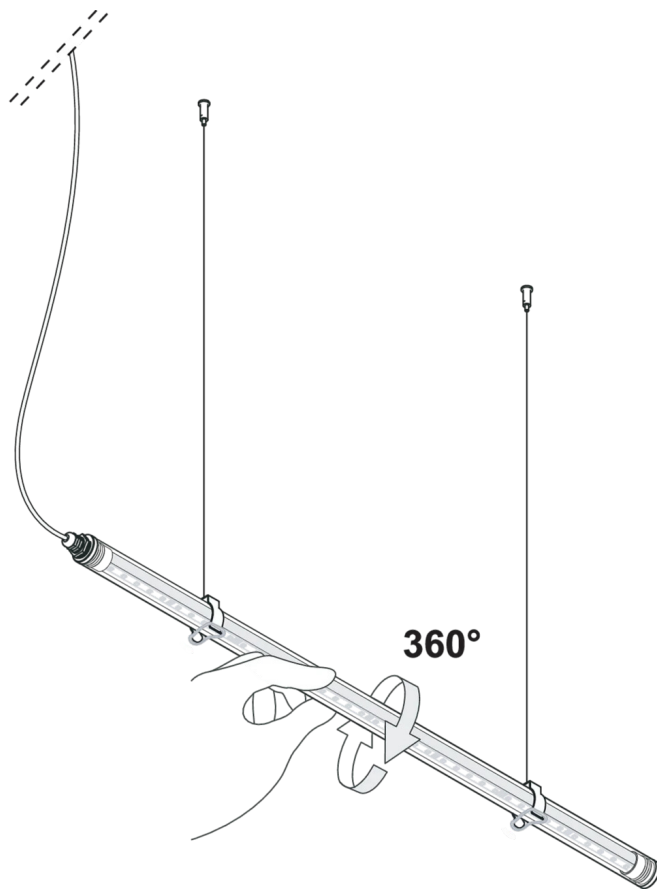
Light source
/W 18W 2208lm 24V 4000K CRI>90
/WW 18W 1980lm 24V 3000K CRI>90
/XW 18W 1872lm 24V 2700k CRI>90

Net weight 2,43 lb

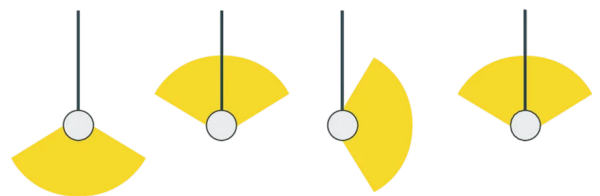
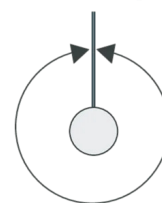


98,43 inch





Luce Light



ELEMENTI DI SISTEMA



20cm diameter rosette complete with 60W driver

U0990/60

1,32 lb

- .01 White
- .02 Black
- .85 Painted silver
- .86 Painted gold
- .87 Painted copper
- .88 Bronze painted



30cm diameter rosette complete with 99W driver

U0990/100

2,87 lb

- .01 White
- .02 Black
- .85 Painted silver
- .86 Painted gold
- .87 Painted copper
- .88 Bronze painted










38cm diameter rosette complete with 198W driver

U0990/200

4,41 lb

- .01  White
- .02  Black
- .85  Painted silver
- .86  Painted gold
- .87  Painted copper
- .88  Bronze painted

